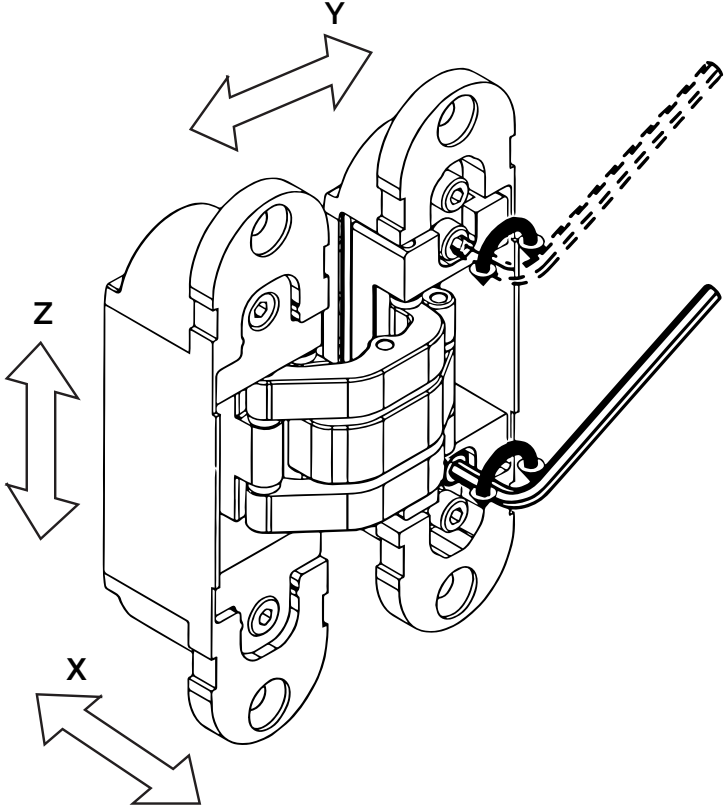
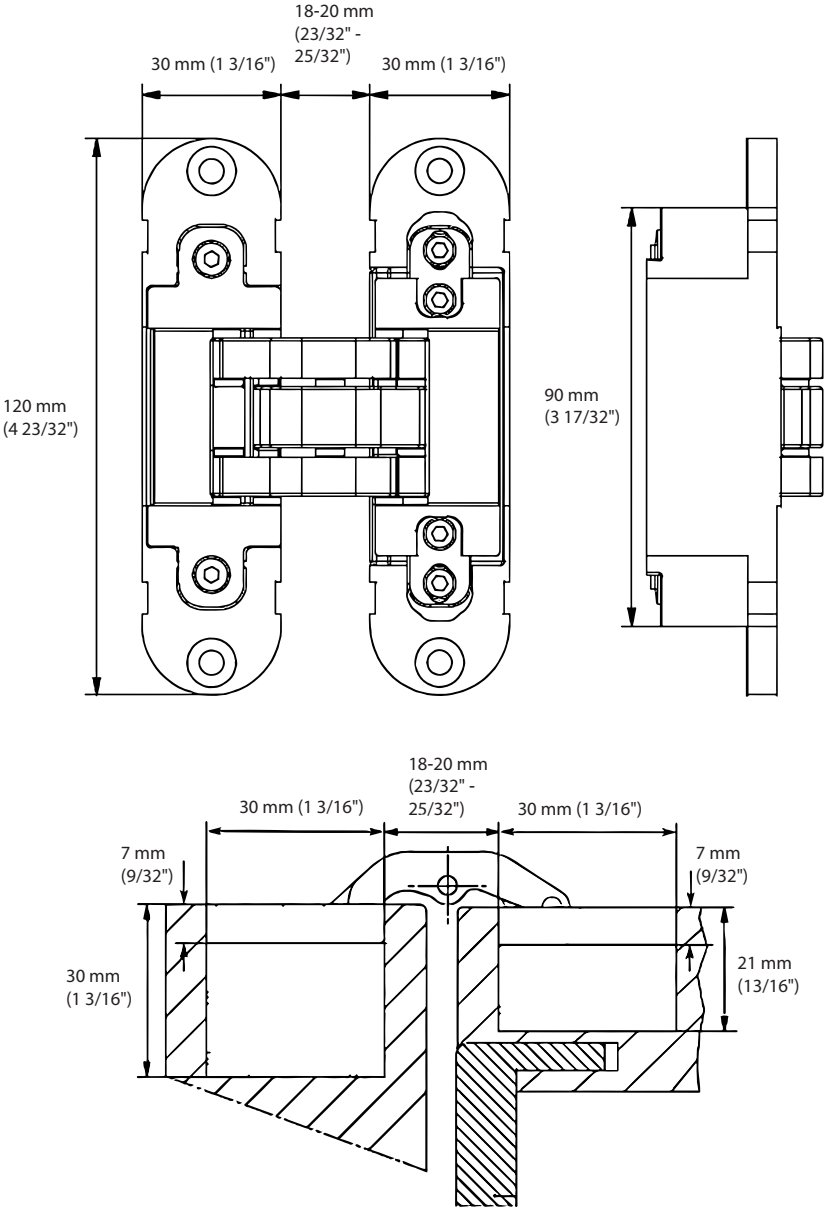


SPECIFICATION



3D Adjusting