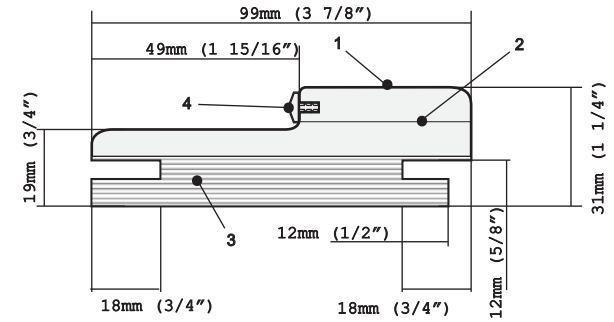
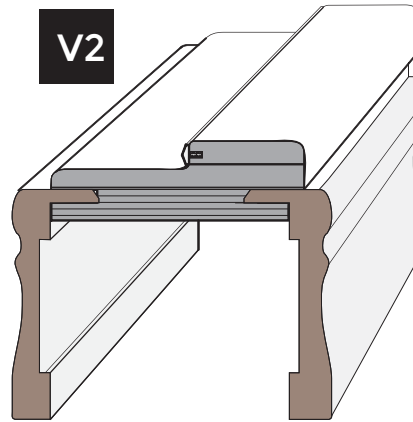
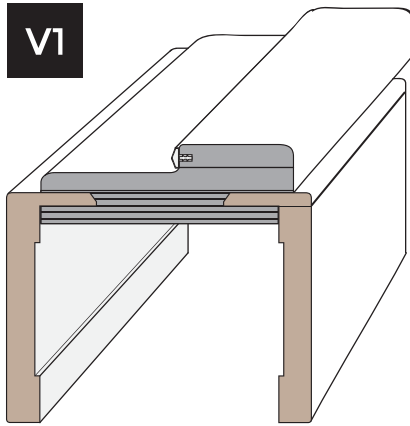


DOOR FRAME SPECIFICATIONS



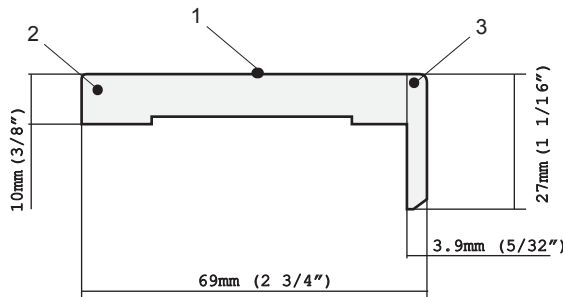
SINGLE RABBET JAMB

Length:

L1= 6' 10 11/16" (for 6'-8" doors)

L2= 8' 15/32" (for 92 1/2" doors)

1. Natural Wood Veneer
2. 16mm(5/8") MDF
3. 15mm(19/32") Marine Plywood
4. Rubber Seal



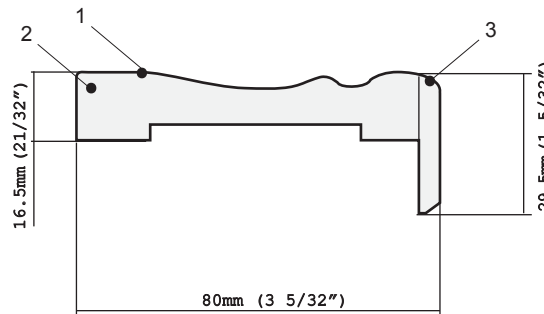
L-CASING V1

Length:

L1= 7' 2 5/8" (for 6'-8" doors)

L2= 8' 2 7/16" (for 92 1/2" doors)

1. Natural Wood Veneer
2. 10 mm MDF
3. 3.9mm MDF



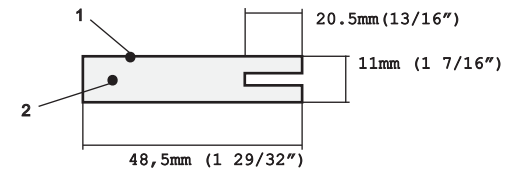
L-CASING V2

Length:

L1= 7' 2 5/8" (for 6'-8" doors)

L2= 8' 2 7/16" (for 92 1/2" doors)

1. Natural Wood Veneer
2. 10 mm MDF
3. 3.9mm MDF



EXTENSION X1

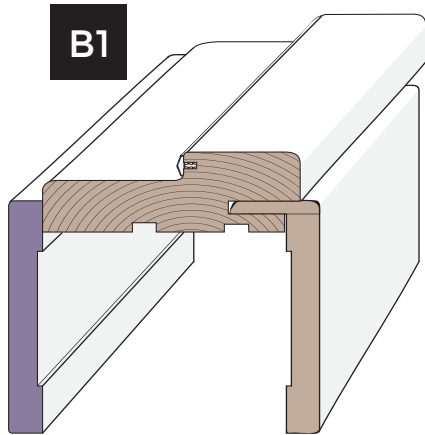
Length:

L1= 6' 10 11/16" (for 6'-8" doors)

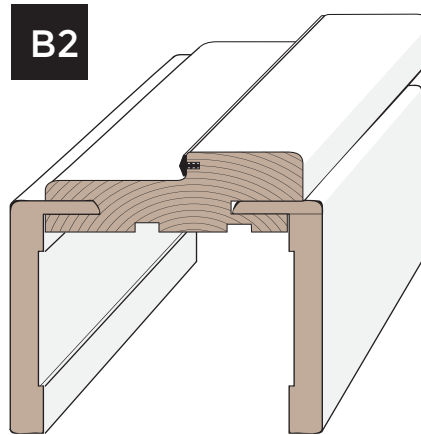
L2= 8' 15/32" (for 92 1/2" doors)

1. Natural Wood Veneer
2. 11mm MDF

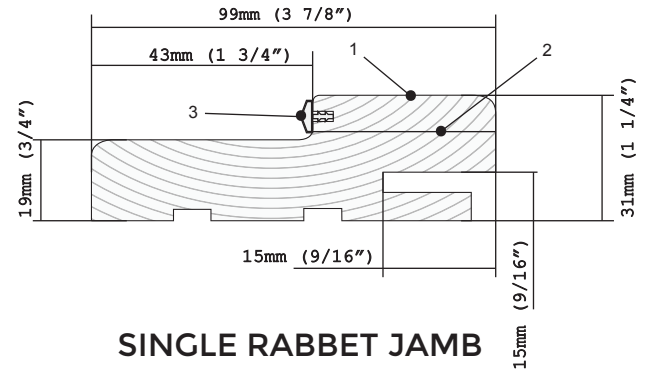
DOOR FRAME SPECIFICATIONS



B1



B2



SINGLE RABBET JAMB

Length:

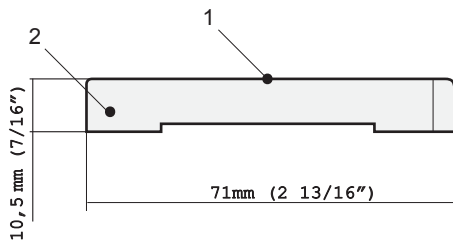
L1= 6' 10 11/16"(for 6'-8" doors)

L2= 8' 15/32" (for 92 1/2" doors)

1. Natural Wood Veneer

2. Solid Wood Pine

3. Rubber Seal



FLAT CASING B1

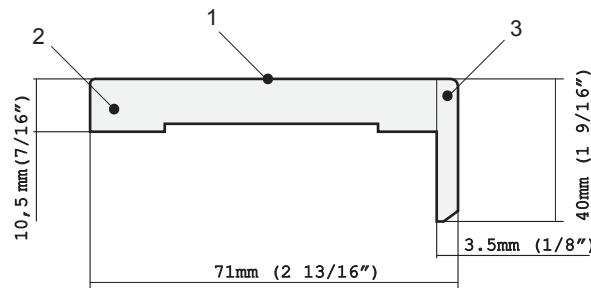
Length:

L1= 6' 10 11/16"(for 6'-8" doors)

L2= 8' 15/32" (for 92 1/2" doors)

1. Natural Wood Veneer

2. 10.5mm MDF



L-CASING B2

Length:

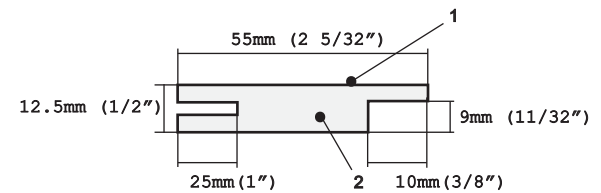
L1= 6' 10 11/16"(for 6'-8" doors)

L2= 8' 15/32" (for 92 1/2" doors)

1. Natural Wood Veneer

2. 10.5 mm MDF

3. 3.5 mm MDF



EXTENSION X2

Length:

L1= 6' 10 11/16"(for 6'-8" doors)

L2= 8' 15/32" (for 92 1/2" doors)

1. Natural Wood Veneer

2. 12.5mm MDF(1/2")