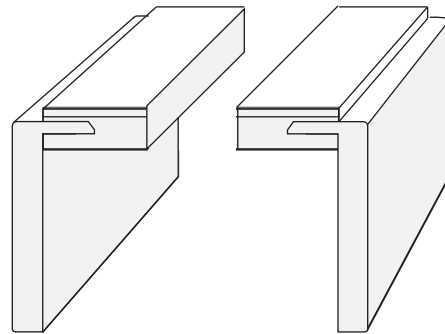
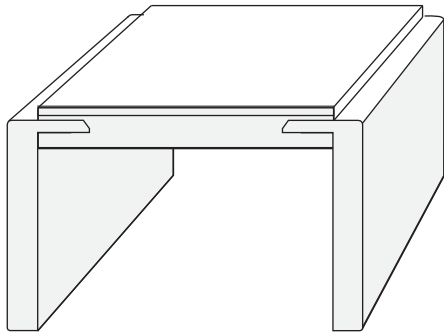
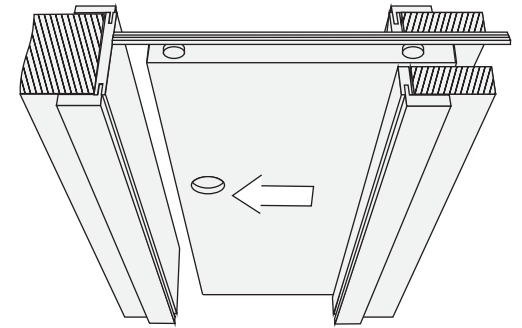


# POCKET DOOR FRAME SPECIFICATIONS

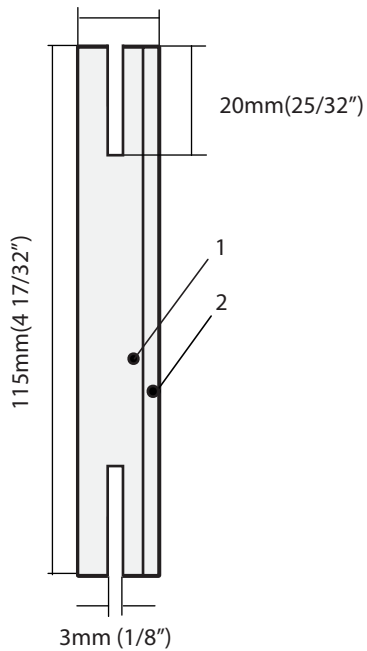


**P2**

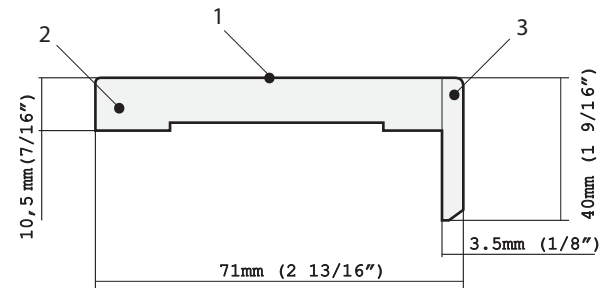
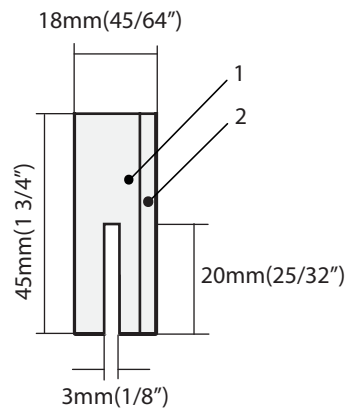
- 1.MDF 15mm (5/8")
- 2.HDF 3mm (1/8")
- 3.MDF 8mm (5/16")



## 18mm(45/64") STRIKE JAMB



## SPLIT JAMB



## L-CASING B2

Length:

L1= 6' 10 11/16" (for 6'-8" doors)

L2= 8' 15/32" (for 92 1/2" doors)

1. Natural Wood Veneer

2. 10.5 mm MDF

3. 3.5 mm MDF