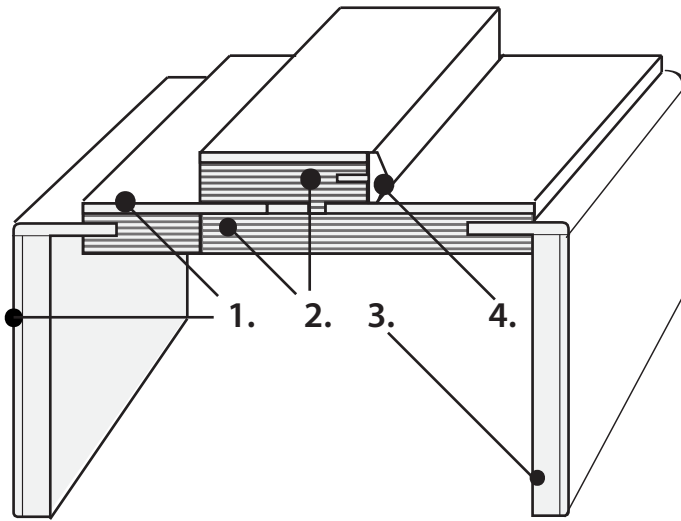


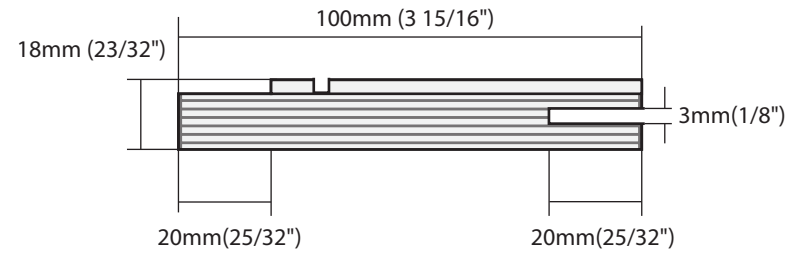
DOOR FRAME SPECIFICATIONS



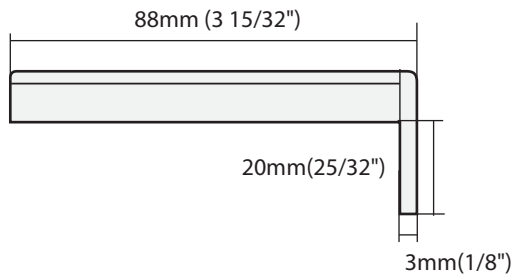
S1

- 1.HDF 3mm
- 2.Marine plywood
- 3.MDF
- 4.Rubber Seal

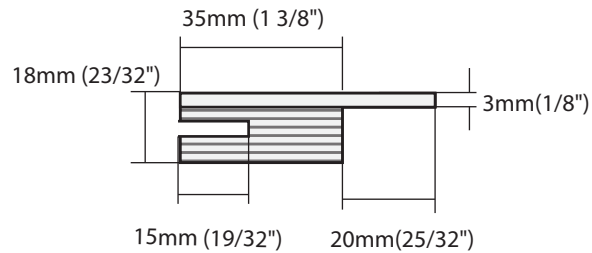
JAMB



L-CASING



EXTENSION



DOOR STOPPER

