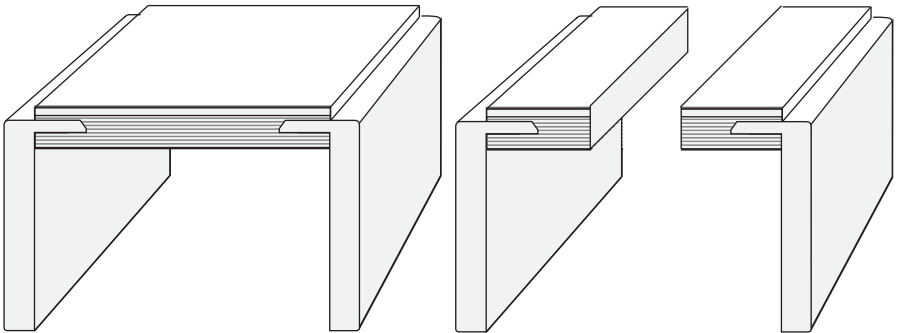


POCKET DOOR FRAME SPECIFICATIONS



P2

- 1. Marine plywood 15mm (5/8")
- 2. HDF 3mm (1/8")
- 3. MDF 8mm (5/16")

