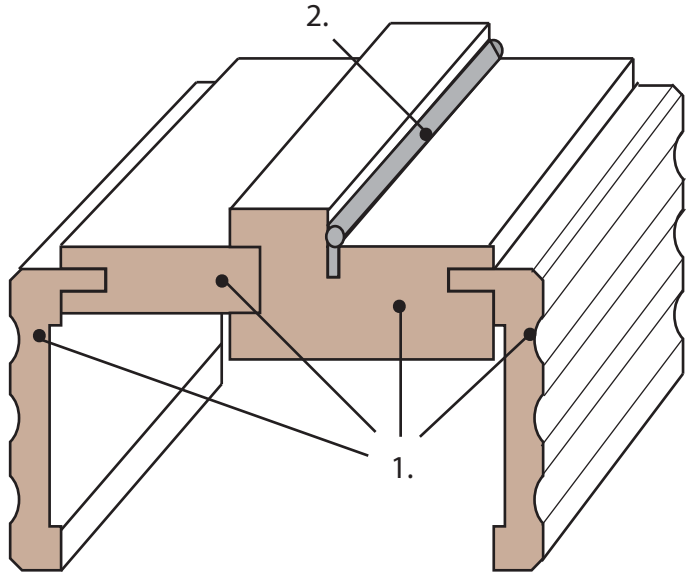


DOOR FRAME SPECIFICATIONS



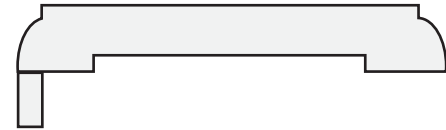
A1

- 1. Solid Wood Alder
- 2. Rubber Seal

ROUND CASING

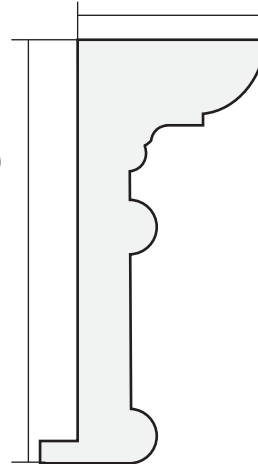


FLAT CASING



CAPITAL CASING

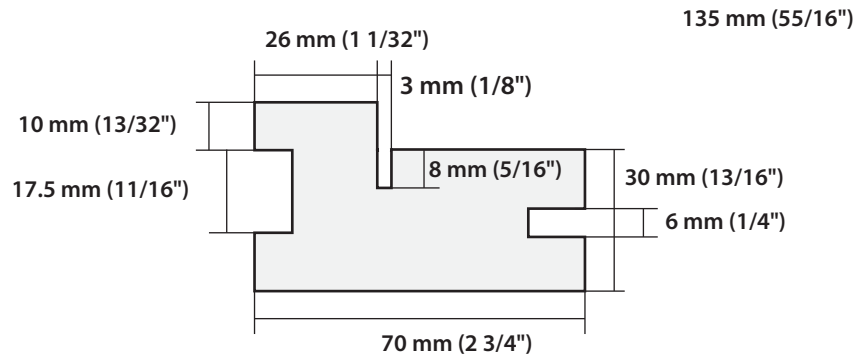
60 mm (23/8")



COLUMN CASING



JAMB



EXTENSION

